



Typography

Color Palette

NB International Pro
Edition MMXXI

Neubau, Berlin
Release Date: 01.12.2014
Edition: 2021

Light
Book
Regular
Medium
Bold

Aa01

Neutral 001

Neutral 002

Neutral 003

Neutral 004

Neutral 005

Neutral 006

Neutral 007

H - 001

H - 002

H - 003

H - 004

H - 005

H - 006

H - 007

HEX 1B1B1B

HEX 333333

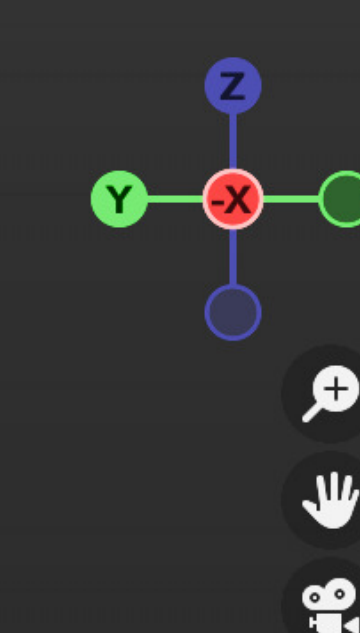
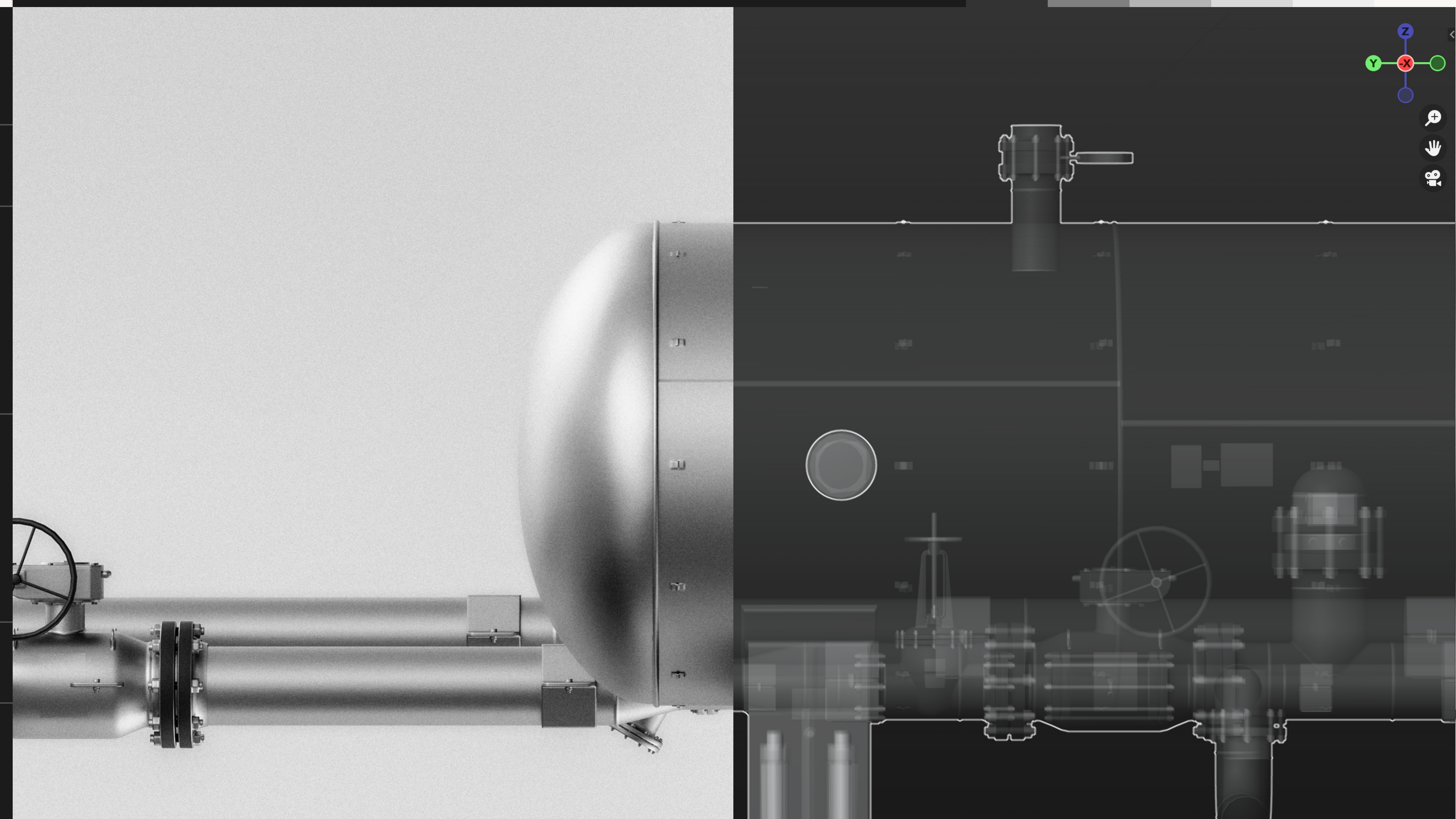
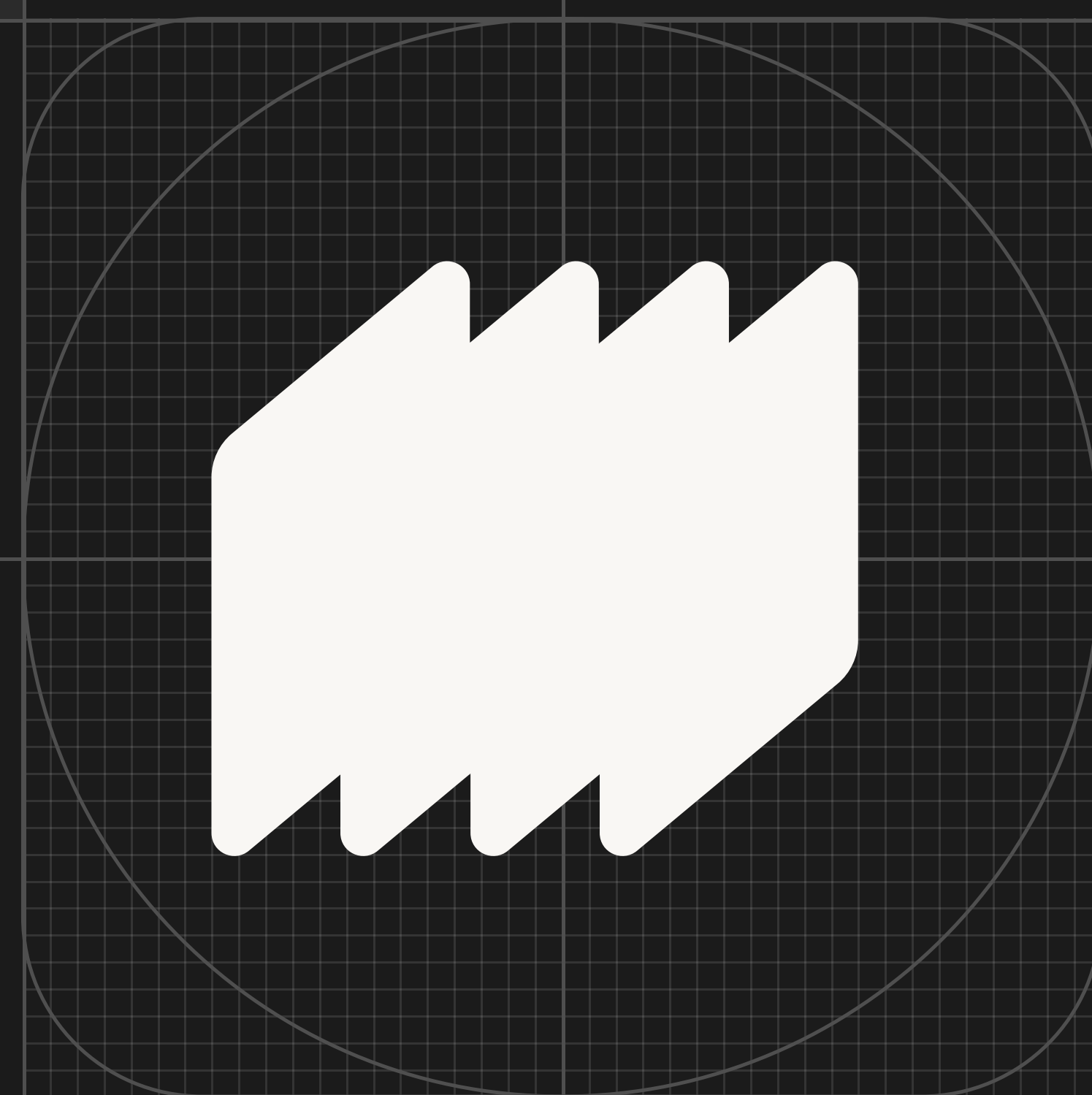
HEX 606060

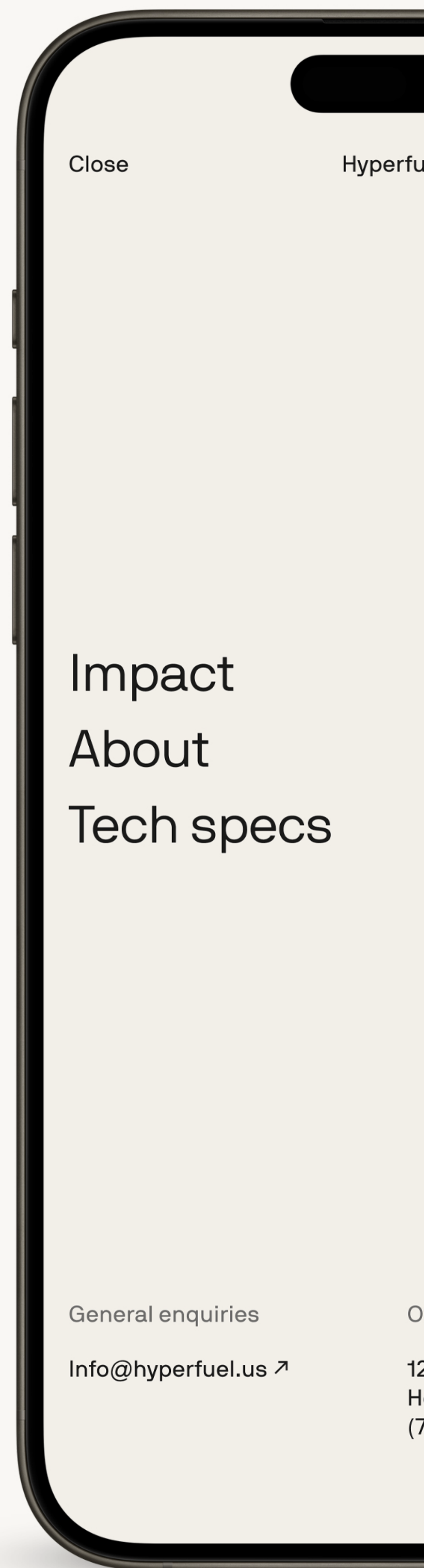
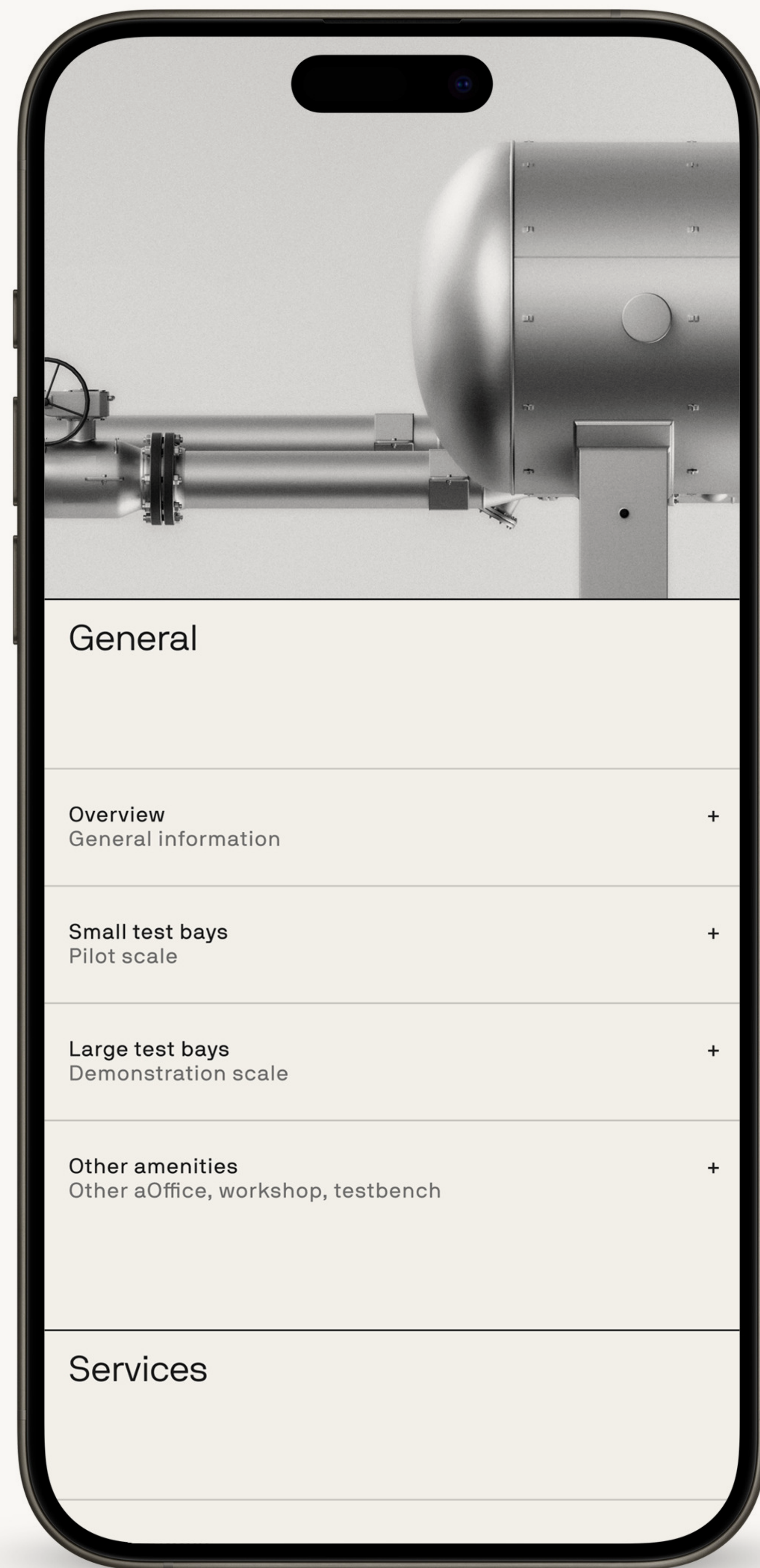
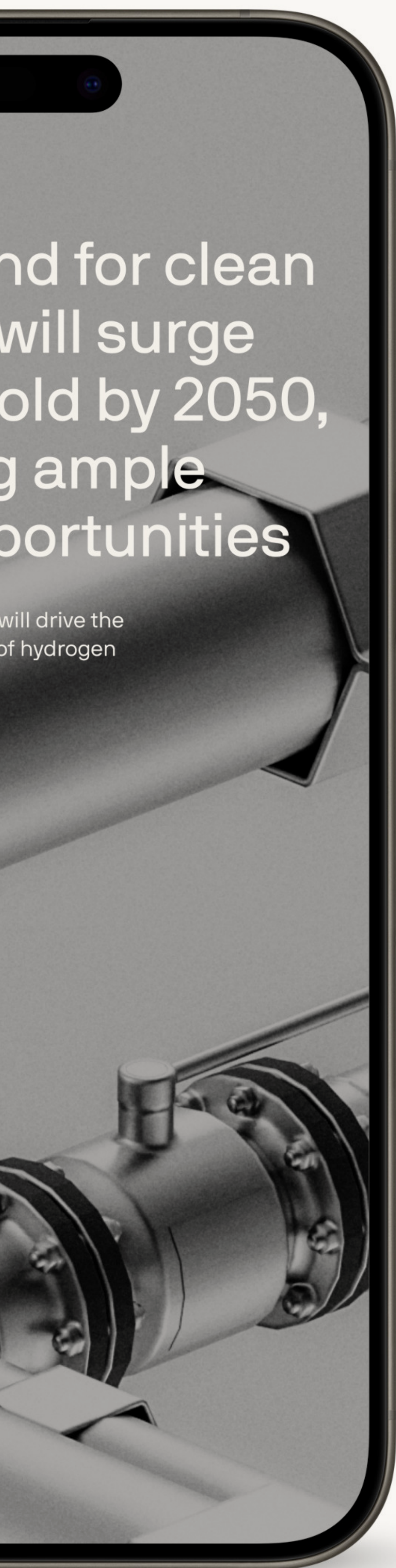
HEX B3B3B3

HEX D9D9D9

HEX EEEEEE

HEX F9F7F4





Hyperfuel

[Impact](#) [About](#) [Tech specs](#)

[Contact](#)

Hyperfuel is accelerating
clean hydrogen technology
from prototype to market



Hyperfuel

4201 Main St Suite 200
Houston, TX 77002
USA

Tel.: (+12) 1234 5678
Mail.: info@hyperfuel.us
Web: hyperfuel.us
@hyperfuel

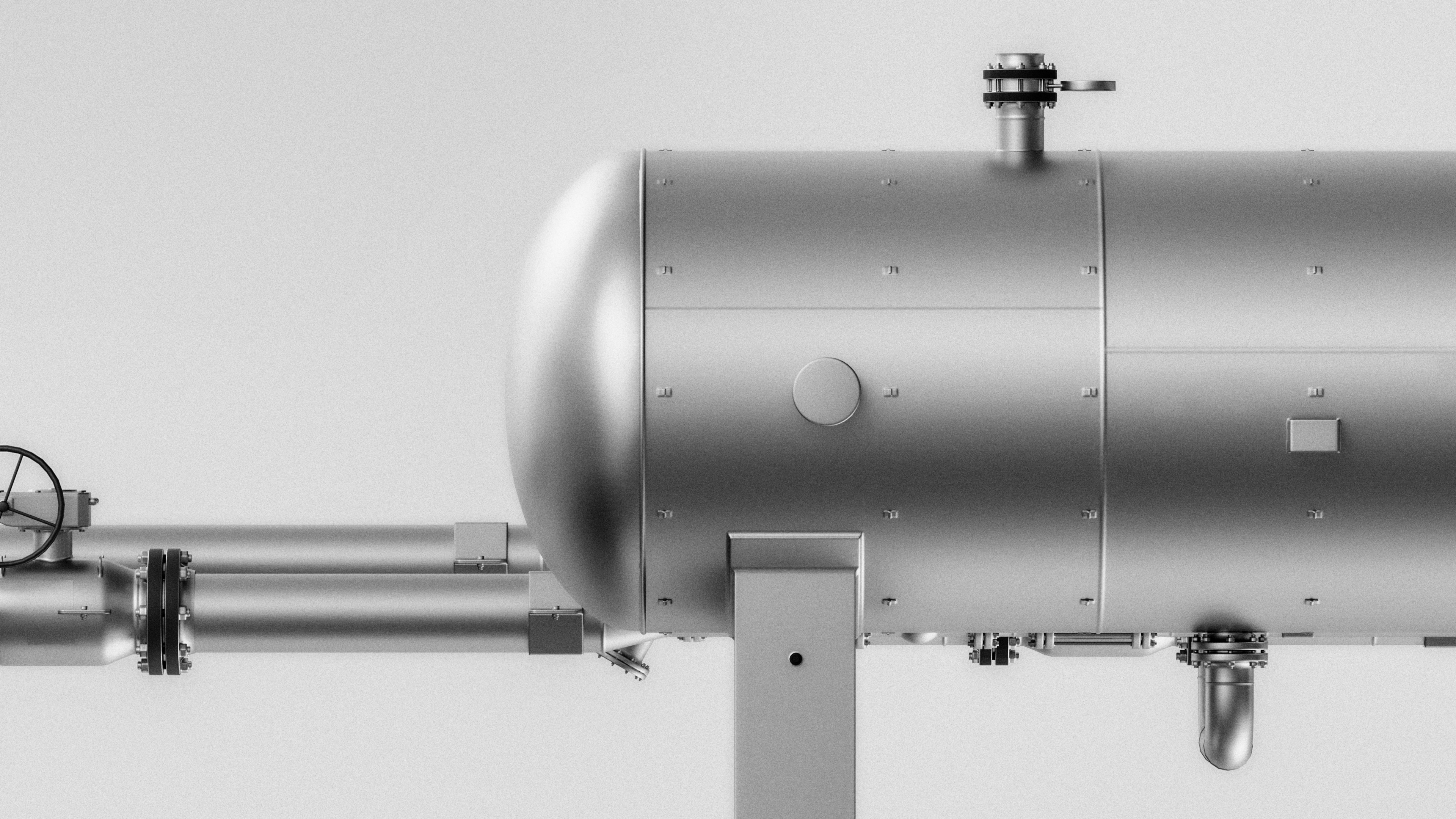
Hyperfuel is accelerating clean hydrogen
technology from prototype to market



Hyperfuel

Impact

By accelerating the pace of clean hydrogen
technology validation, our program will
result in 100Mt CO2 catalyzed emissions
reduction





Growing hydrogen demand
will drive the need for low carbon
supply of hydrogen

Hyperfuel®

Accelerating
clean hydrogen

Hyperfuel

Scaling a new production technology out of the lab is slow, expensive, and risky. We are an open-access, industrial-scale testing facility to validate emerging hydrogen technology more efficiently and effectively.



Impact

By accelerating the pace of clean hydrogen technology validation, our program will result in 100Mt CO2 catalyzed emissions reduction.

Hyperfuel

[Impact](#) [About](#) [Tech specs](#)

[Contact](#)

Hyperfuel is accelerating
clean hydrogen technology
from prototype to market